



Harmony

BASSINI

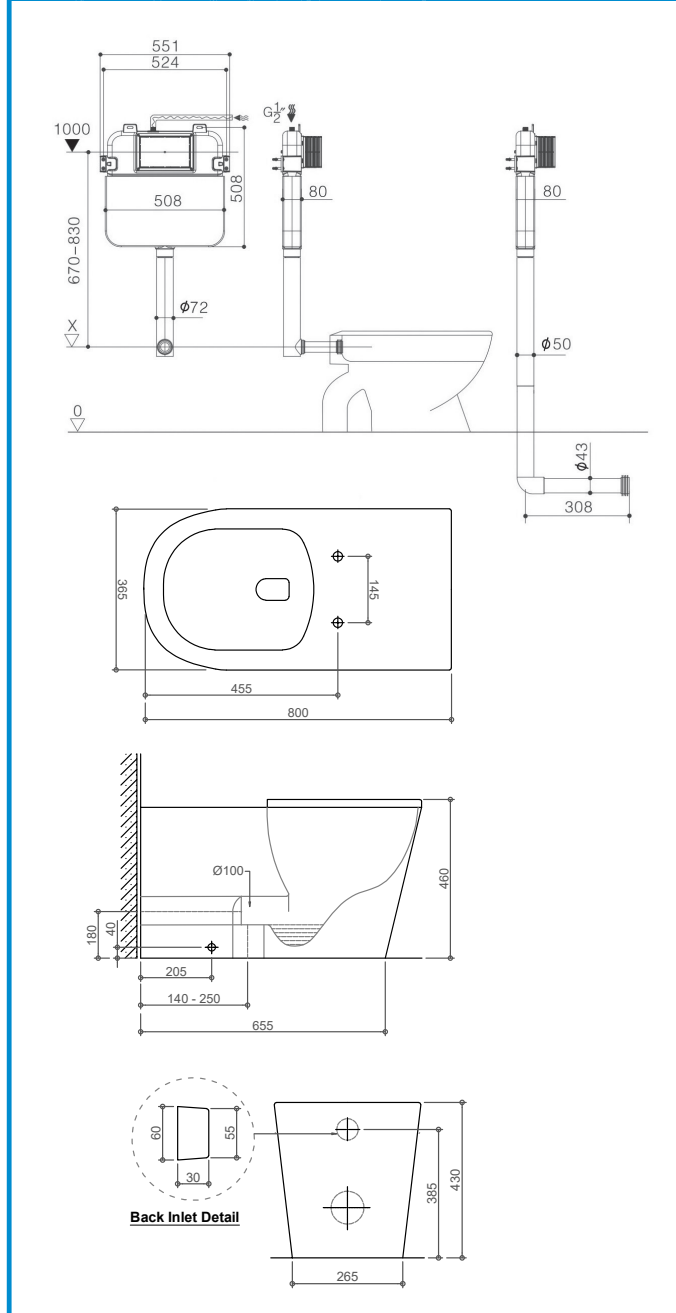
Care Wall Faced Toilet Suite

PRODUCT CODE: **HARMONY13500**

FEATURES:

RIM CONFIGURATION	Rimless
WASTE OUTLET	S or P Trap using Universal Connector
INLET	Top Inlet
SEAT	Standard, Grey Seat
COLOUR	White with Grey Buttons
MATERIAL	Vitreous China
PAN SET-OUT	140-250mm
WEIGHT	36kg Pan, 13kg Cistern
FLUSHING (Ltr)	4.5 Litres Full Flush, 3.1 Litres Half Flush, 3.4 Litres Average Flush
WELS RATING	4 Star
AUSTRALIAN STANDARDS	AS1172.1-2014 AS1172.2-2014 AS1428.1 – Accessible Compliant
WARRANTY	5 Years VC Pan & Cistern, 1 Year all other parts

harmonybathroomware.com.au



WATER RATING
www.waterrating.gov.au

3.4 litres average flush
4.5 L per full flush / 3.1 L per half flush

In accordance with AS/NZS 6400
Licence No. I642
Plumbing Plus
Bathroom Kitchen Laundry Pty Ltd



WaterMark
AS 1172.1 - AS 1172.2
Certificate No. 23263

VERSION DATE: 2021/04

DISCLAIMER: The installation of this toilet suite should be undertaken by a qualified and licensed plumber and in accordance with the National Plumbing Code AS/NZS 3500.2.2. Harmony sanitaryware products are designed to meet the appropriate Australian standards. Dimensions and set-outs contained are correct at the time of publication. However, neither the manufacturer nor the distributor takes responsibility for printing errors. The manufacturer and the distributor reserve the right to vary specifications or delete toilet suite models without prior notification. A failure to follow the installation instructions, or a failure to have the product installed by a licensed tradesperson, may void the product's warranty.