

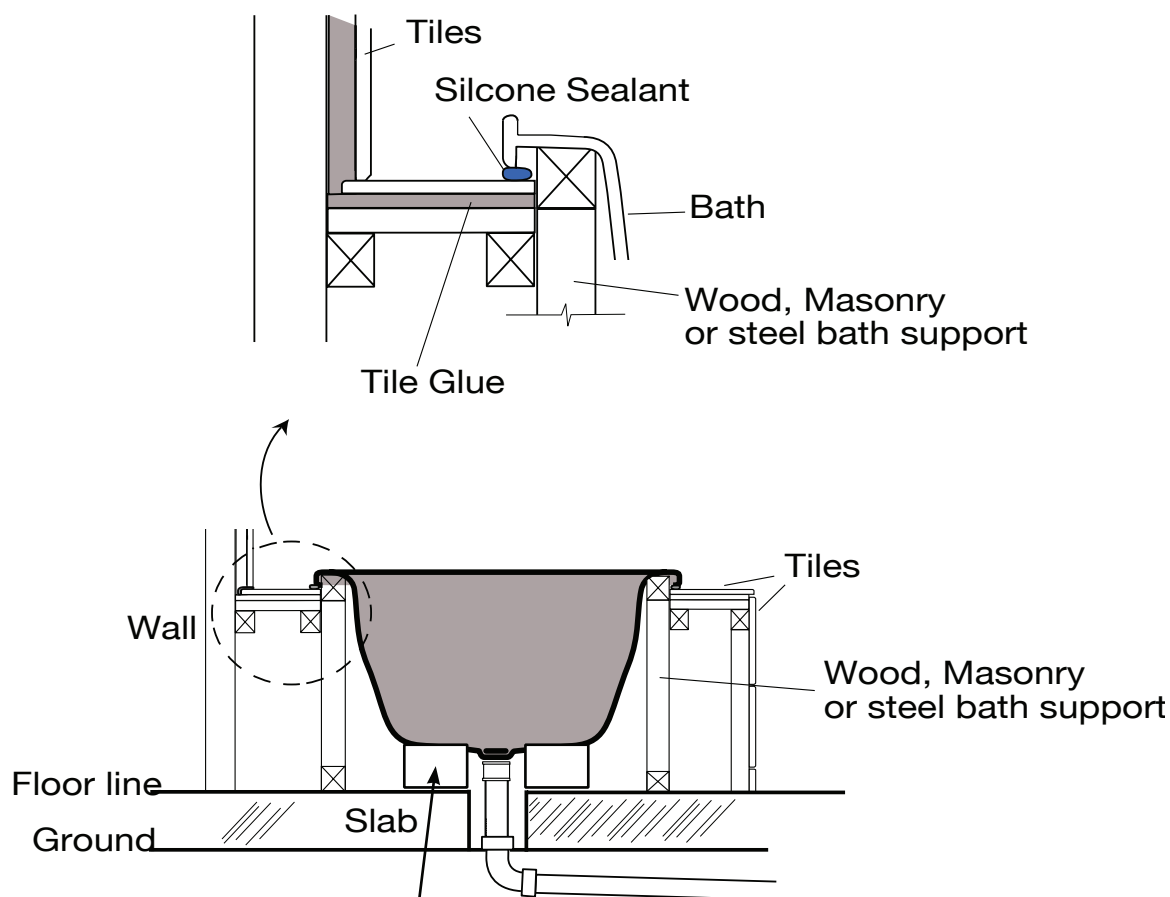
# ACRYLIC BATH - INSET

## Installation

Note: A Licensed Plumber must install this bath.

Please check surface thoroughly before installing. Installation of the bath will be taken as acceptance of the product. Also, it is important to install the product in accordance with the installation instructions below.

1. Install waste pipe in accordance with the set out. Check the waste pipe will align accurately with the bath waste. It may be necessary to use a flexible coupling or length of unrestrained waste pipe to absorb strain on the bath due to misaligned waste setup.
2. This bath is not self supporting and does require a support at the base (refer below). It is important that the full rim of the bath rests on a support wall constructed from wood, masonry or steel.
3. Place bath in position and connect waste. Fill bath and then release, checking seals for leaks and that the bath drains successfully.
4. Apply flexible sealant to the exposed edges.



**This bath is not self supporting and does require a support at the base via masonry, steel, timber or a bed of sand/cement slurry.**