



Installation and Operating Instructions

300071W Urbane II Electronic Bidet Seat

Safety Precautions

WARNING



WARNING

- Battery is hazardous and is to be kept away from children (whether the battery is new or used)
- Battery can cause severe or fatal injuries in 2 hours or less if it is swallowed or placed inside any part of the body.
- Medical attention should be sought immediately if it is suspected the battery has been swallowed or placed any part of the body.
- The supplied remote control has been tested and complies with the requirements of AS/NZS 62368.1: 2018. consumer goods (products containing button/coin batteries) safety standard 2020.
- Do not use recycle water.

SAFETY PRECAUTIONS

WARNING: THIS TOILET DOUCHE MUST BE INSTALLED WITH APPROPRIATE BACKFLOW PROTECTION CONFORMING TO THE NATIONAL CONSTRUCTION CODE - VOLUME 3.

INSTALLATION MUST BE IN ACCORDANCE WITH AS/NZS 3500. 2 AND PLUMBING CODE OF AUSTRALIA.

THIS TOILET DOUCHE SEAT HAS AN INTEGRAL AIR-GAP HIGH HAZARD THAT COMPLIES WITH AS2845.2:2010.

THIS TOILET DOUCHE SEAT COMPLIES WITH THE BACK SIPHONAGE TEST TO AS2845.2:1996.

THIS TOILET DOUCHE SEAT IS SUPPLIED WITH A DUAL CHECK VALVE THAT COMPLIES WITH AS2845.1 AS PER AS/NZS 3500.1 REQUIREMENTS.

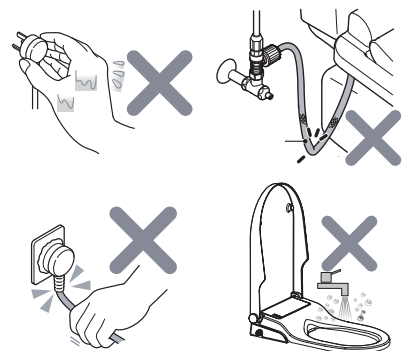
NOTE: LOCAL AUTHORITIES HAVE VARYING REQUIREMENTS IN REGARD TO BACKFLOW PREVENTION. IF UNSURE WE RECOMMEND THE USE OF AN ADDITIONAL RPZ VALVE (NOT INCLUDED).

Caroma will not be liable for any loss arising from failure to comply with the following:

1. This product is an "I" type electrical appliance and must be safely connected to the grounding system.
2. This product is an electrical appliance and should not be installed in a location where it can come in contact with splashing water e.g. close to a shower or a high temperature location.
3. If the power supply cord gets damaged, do not use until it has been repaired by a qualified electrician.
4. The appliance should be permanently connected to the water supply.
5. The Portable Residual Current Device (PRCD) is supplied as part of the power supply cord and must be reliably fixed.

To avoid the risk of electric shock, short circuit or fire, NEVER perform the following:

1. Do not insert or remove power plug with wet hands.
2. The power supply must comply with local regulations.
3. Do not turn the product upside down.
4. Do not distort or bend the flexible water inlet hose.



GWA Bathrooms & Kitchens

Caroma Industries Limited.

ABN 35 000 189 499

1 Melito Court, Prestons, NSW 2170

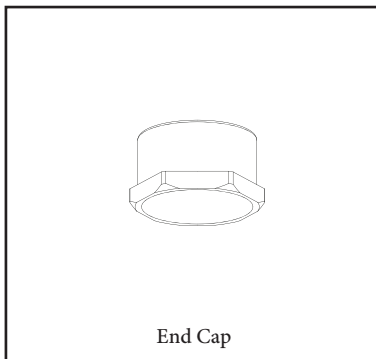
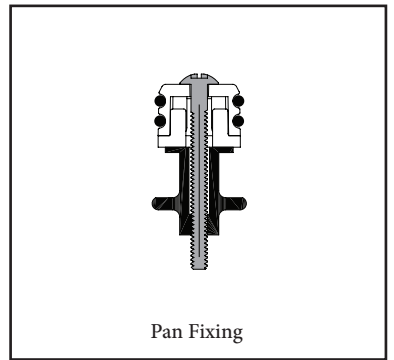
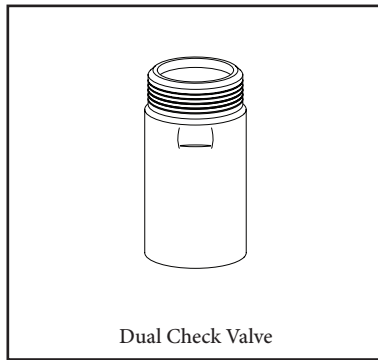
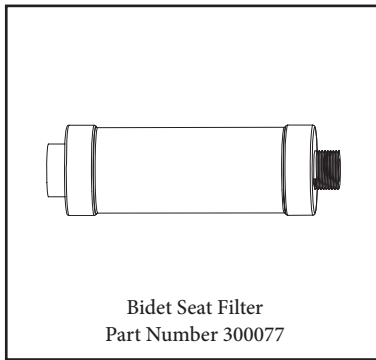
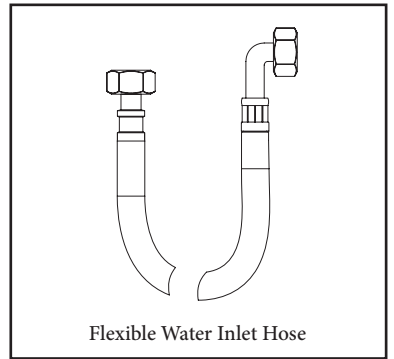
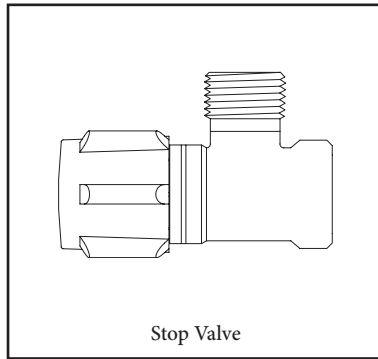
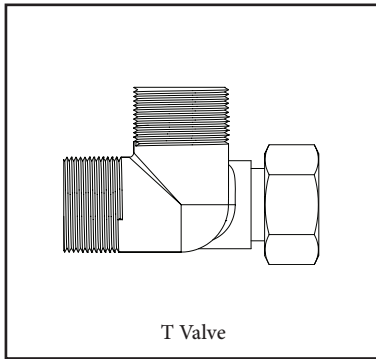
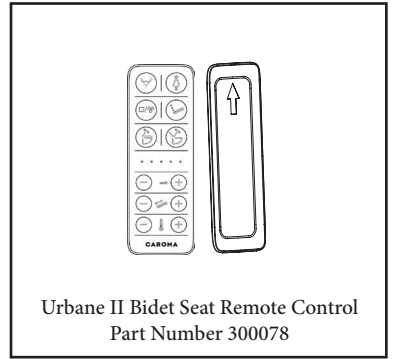
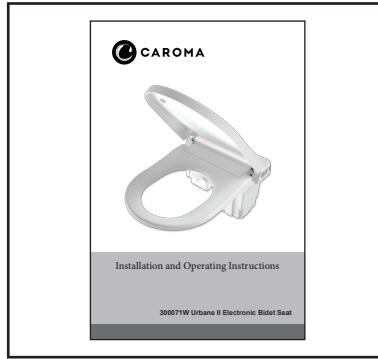
National Call Centre 13 14 16

caroma.com.au

Caution - the bidet and remote control operate with batteries. It has a possibility to interfere with pacemakers, defibrillators or other medical devices which is used for assistance. For safety reasons, it is advised that a certain safe distance is to be kept at all times between the bidet and the medical device.

Date of Issue: 20/03/2023
Rev no.4

Bill of Material

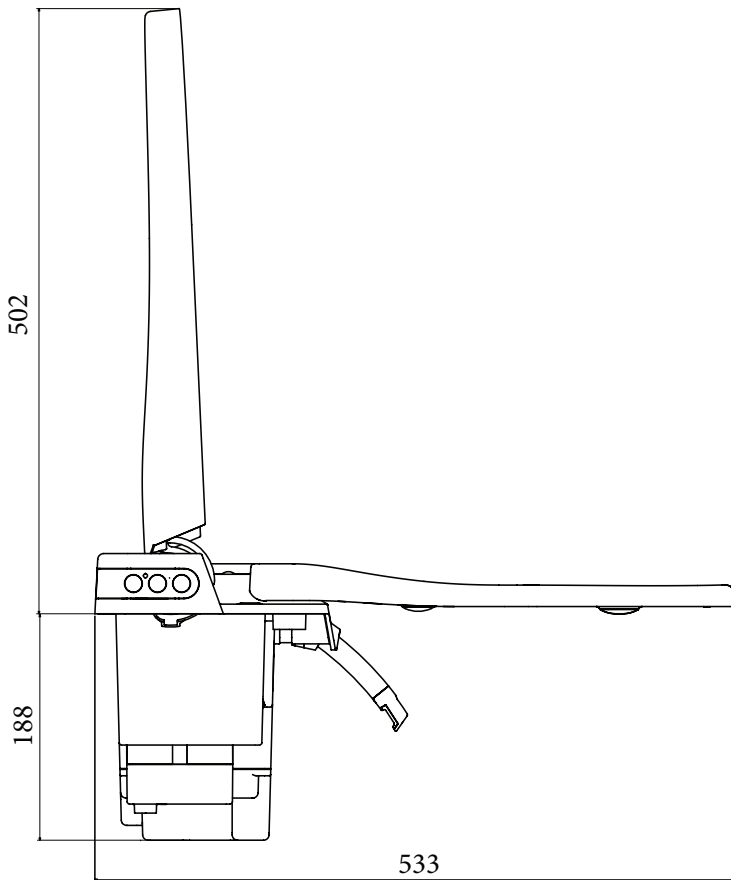
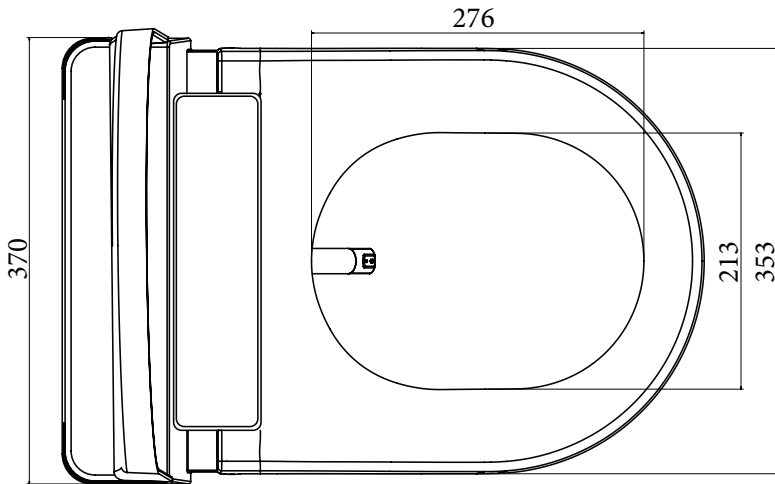
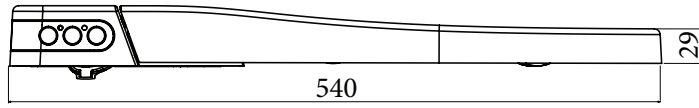


Technical Specification

MODEL		300071W
Wash	Rear Wash	●
	Female Wash	●
	Massage	●
	Adjustable Water Temperature	5 Steps (Default 3rd)
	Adjustable Flow Rate	5 Steps (Default 3rd)
	Adjustable Spray Position	5 Steps (Default 5th)
Drying / Warm Air	Air Drying	●
	Adjustable Air Rate	5 Steps (Default 3rd)
	Adjustable Dryer Temperature	5 Steps (Default 3rd)
Heated Seat	Heated Seat	●
	Adjustable Seat Temperature	5 Steps (Default 3rd)
Hygiene	Deodoriser	●
	Nozzle Automatic Cleaning	●
	Nozzle Manual Cleaning	●
Descaling		●
Display Screen		●
Remote Control		●
Night Light		●
Open Cover/Seat Automatically		●
Water Supply Connector		G ¾ on unit with G ½ flex hose
Rated Voltage		AC220 - 240V, 50/60HZ
Power		1170W
Length of Powder Cord		1.8m
Water Supply Pressure		70~750kpa(0.7~7.5Bar)
Water Supply Temperature		4~35℃
Ambient Temperature		4~40℃
Protection Degree		IPX4
Wash Device	Flow Rate	350~650mL/min
	Water Temperature	31~39℃
	Wash Cycle Time	3 Minutes
	Heating Mode	Tank
	Heater Power	1200W
	Safety Device	Thermal Cutoff Fuses\Liquid
	Backflow Prevention	Air Gap of AB Type
Dry Device	Speed Of Air	≥4m/S
	Dryer Power	350W
	Dry Cycle Time	3 Minutes
	Warm Air Temperature	35~50℃
	Safety Device	Thermal Cutoff Fuses\Thermostat
Deodorization	Deodorization Mode	Diatom
	Deodorization Cycle Time	15 Minutes
Heated Seat	Heated Power	50W
	Seat Temperature	29~37℃
	Safety Device	Thermal Cutoff Fuses\Thermostat
Remote Control	Frequency Range	2400-2520MHz
	Maximum RF Output Power	-10dBm
	Type of Batteries	3V CR2032 (Not supplied)
	Number of batteries	Two Pieces
Other Safety Device		Residual Current Devices

Bidet Dimensions

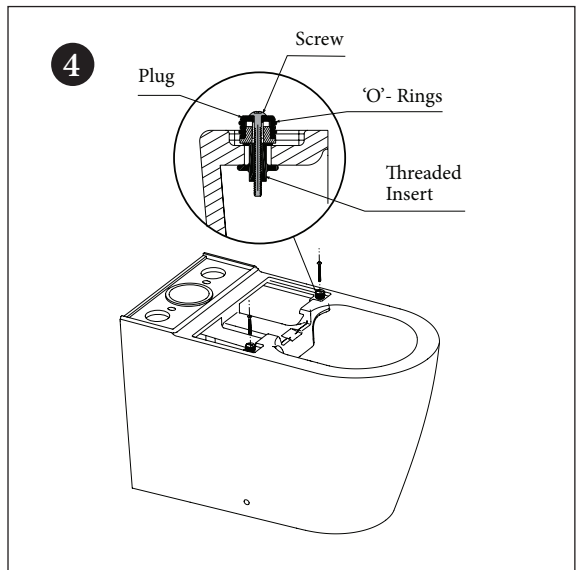
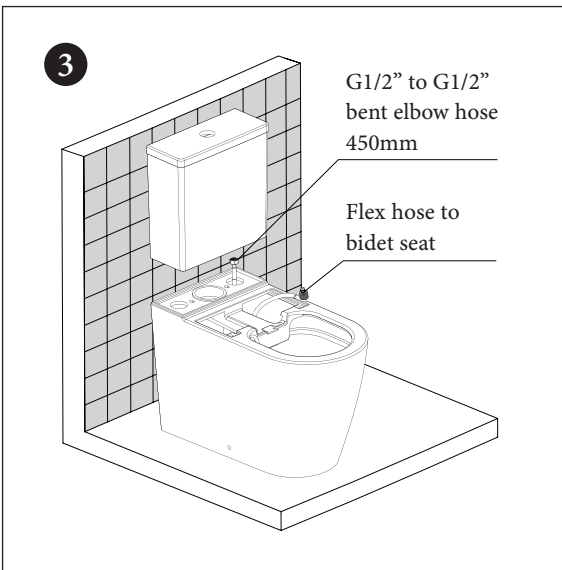
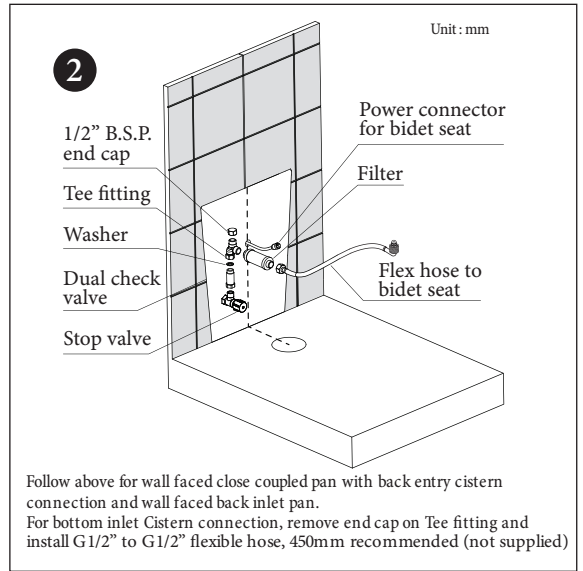
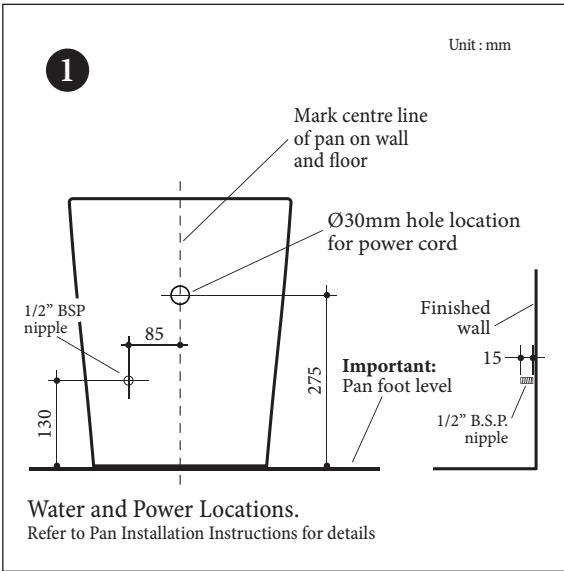
Unit : mm



Installation Steps

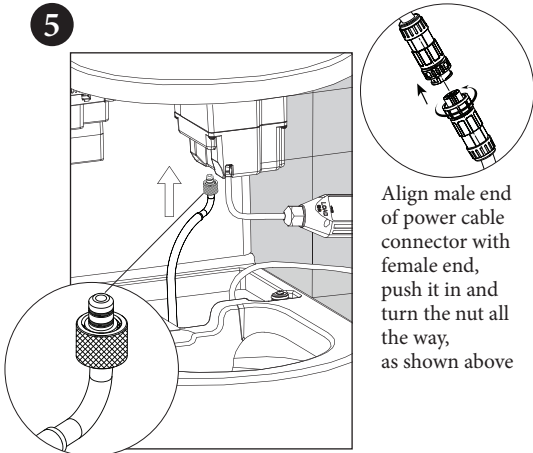
- Before installation, Make sure the inlet hose is installed and the area is equipped to supply power

These operations should be performed by qualified service personnel



Installation Steps

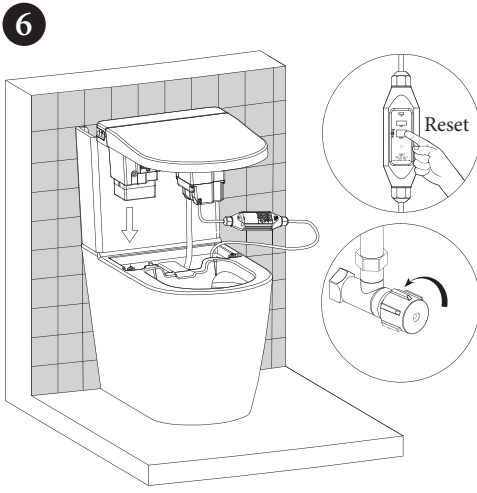
5



Align male end of power cable connector with female end, push it in and turn the nut all the way, as shown above

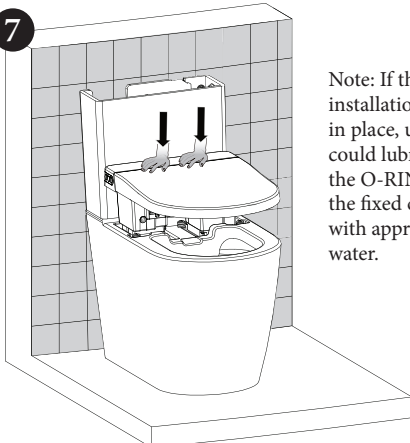
Fit the elbow end of hose to the inlet connection of the seat and hand tighten the nut. Ensure the elbow is pointing to the left or forward.

6



Turn the water mains ON, check for leakage. Turn the power on and press the reset button as shown above.

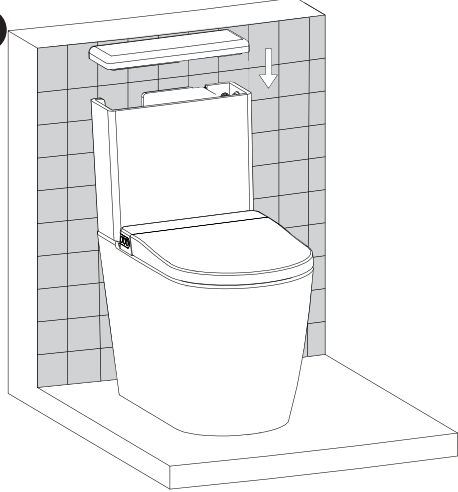
7



Note: If the installation is not in place, user could lubricate the O-RING on the fixed column with appropriate water.

After making sure power cable and circuit breaker are placed inside the pan, push the seat while aligning the seat fixing plugs with fixing holes in seat. Pull the excess length of power cable from the other end if required.

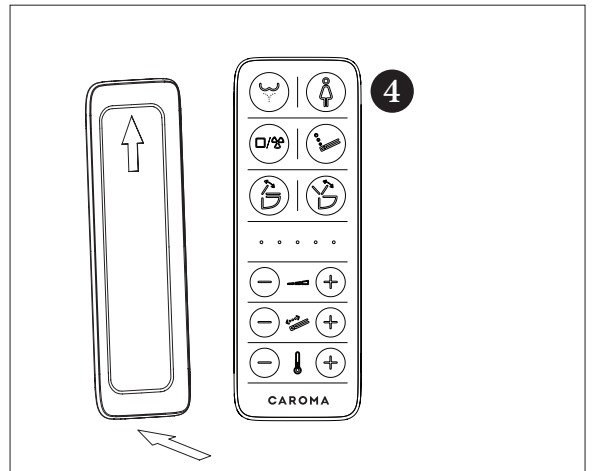
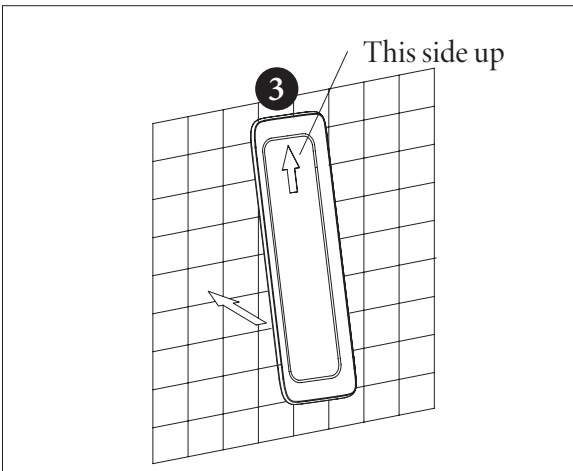
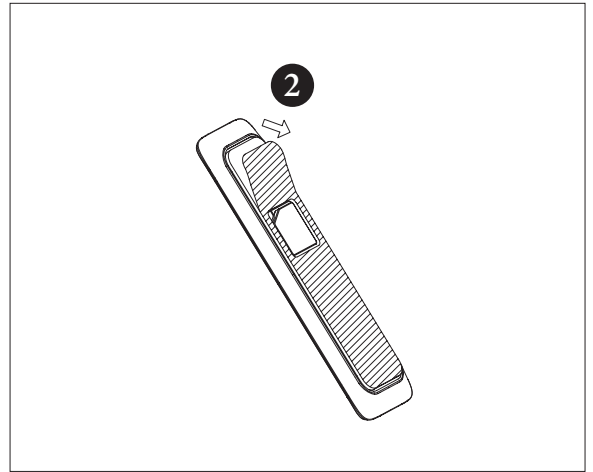
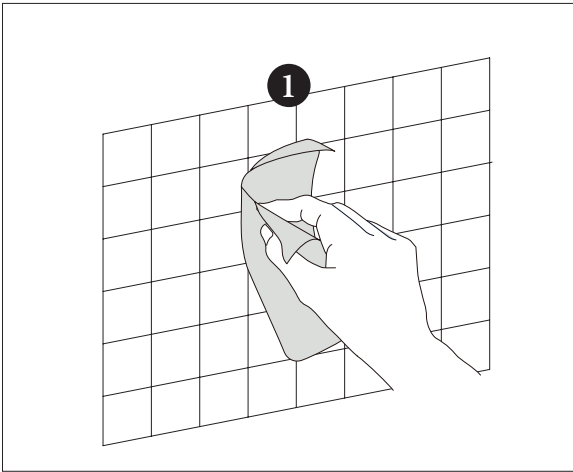
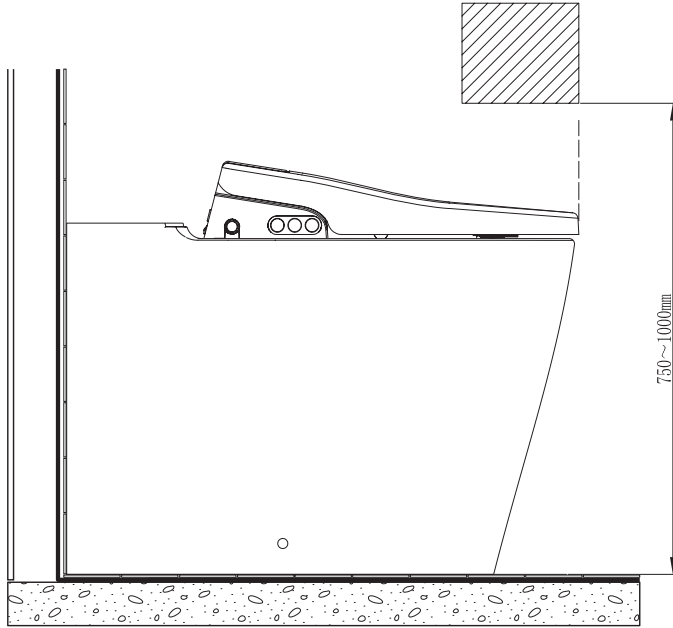
8



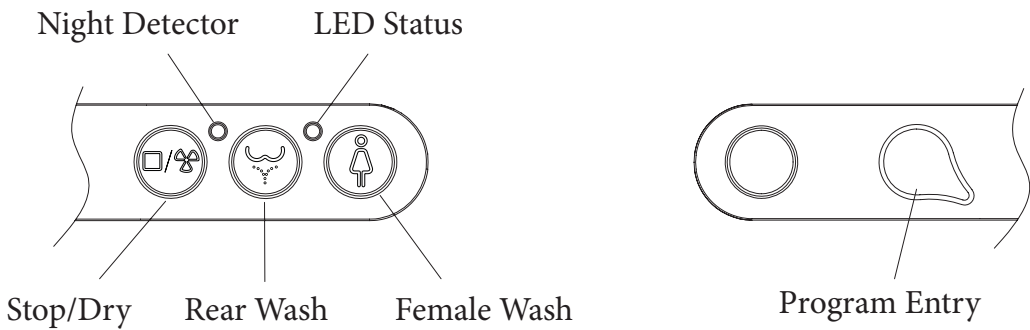
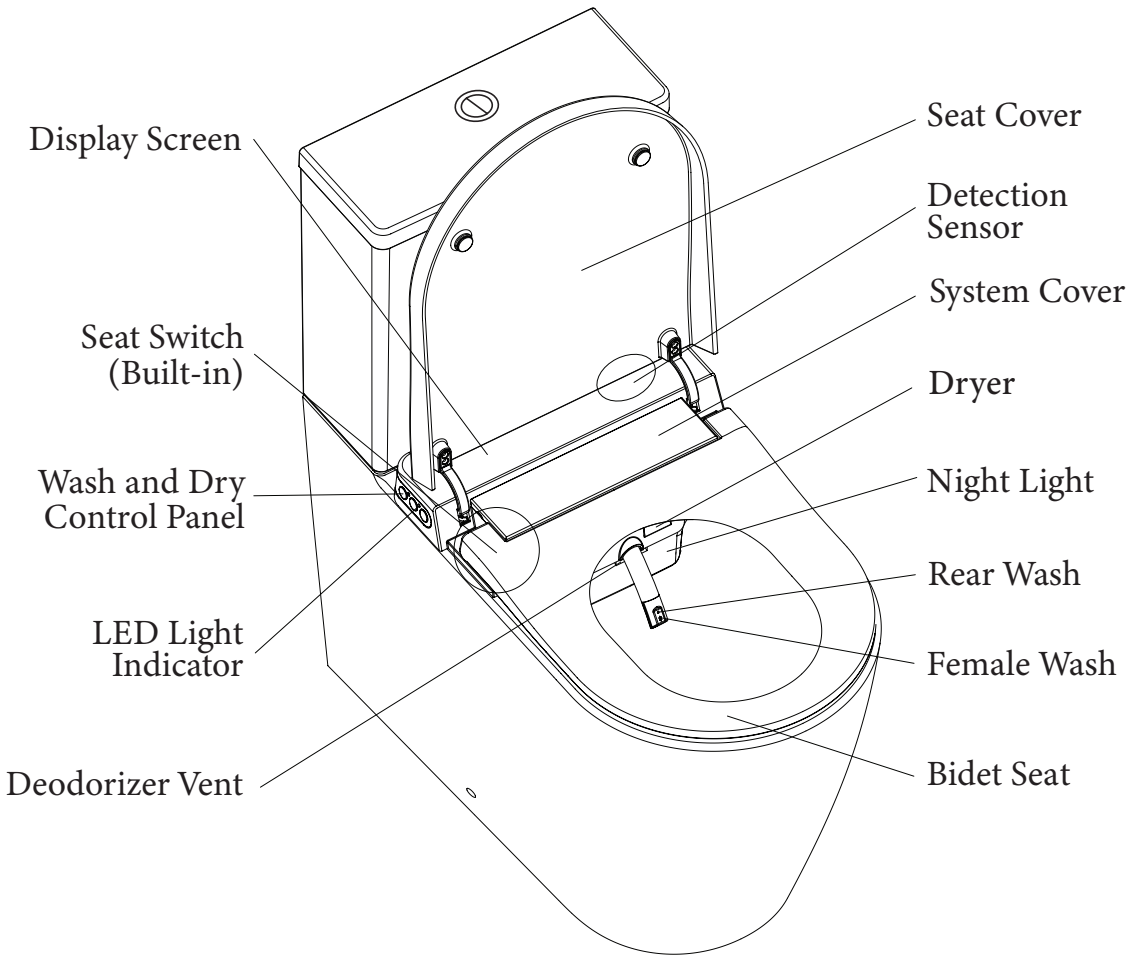
For Cistern installation, follow instructions supplied with it.

Install the Remote Control

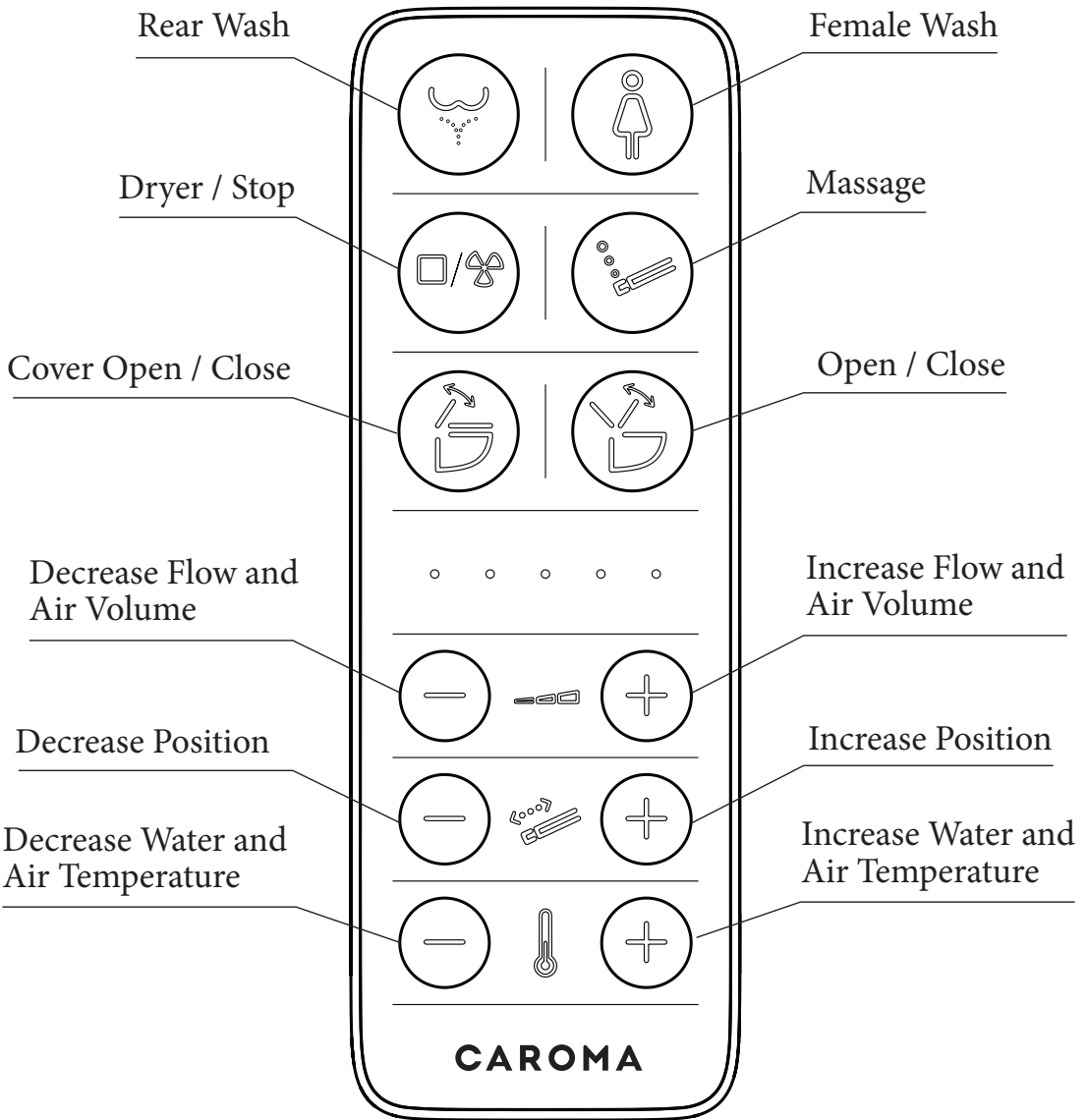
Recommended Installation Area



Overview



Remote Control



**300071W Urbane II
Electronic Bidet Seat
Remote Control**

1. The remote control requires 2 batteries (3V CR2032). (Not supplied)
2. The remote control provided is only to be used for model 300071W Urbane II Electronic Bidet Seat.

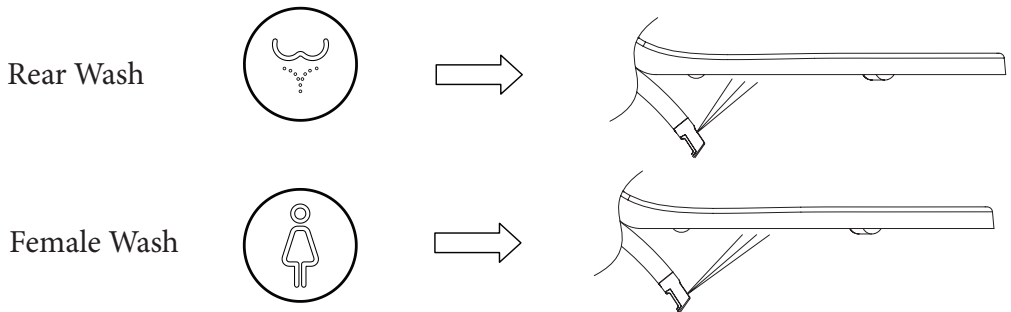
Function Introduction

Initialization

After connection to the power and water supply, please wait for about 2 minutes for the Bidet to initialize. Do not operate during this period. User needs to be seated for the bidet functions to operate

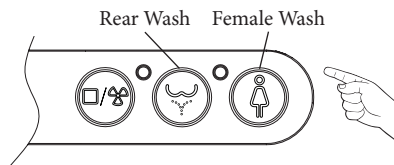
Wash Operation

Press the "Wash" button on the remote control to start the wash. It will automatically stop after 3 minutes, you can also stop washing by pressing the "Stop" button.



Note: While on Rear wash or Female wash mode, it will wash at the fixed position for about 10 seconds, and on movable wash mode it will wash for about 18 seconds, then it returns to the normal position.

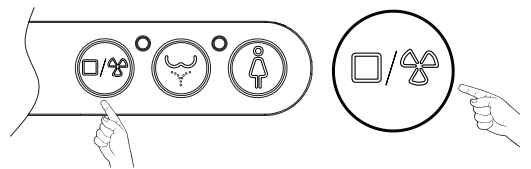
OR - You can operate by pressing side seat buttons for wash operations



Drying Operation

Please be seated

To begin drying, press the "Dry / Stop" button to start drying (LED status: RED). It will automatically stop after 3 minutes or you can press the "Dry / Stop" button to stop (LED status: ORANGE).



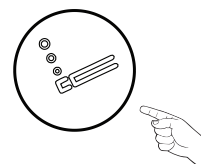
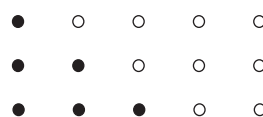
Massage Operation

In the process of Rear or Female washing

Repeatedly press the "Massage" button on the remote until you choose your desired spray mode

- Oscillating : one indicator light is on
- Pulsating : two indicator lights are on
- Oscillating + Pulsating : three indicator lights are on

Remote control LEDs

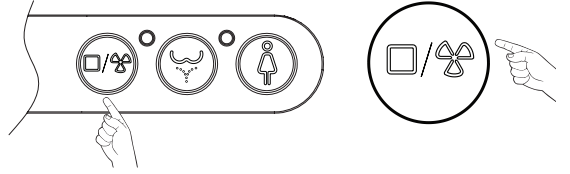


Function Introduction

Stop Operation

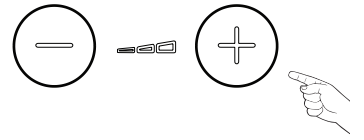
In the process of Rear washing , Female washing or drying

Press the "Stop" button on the remote control it will stop washing or drying.....OR
Press the "Dry / Stop" side button on seat to stop washing or drying.



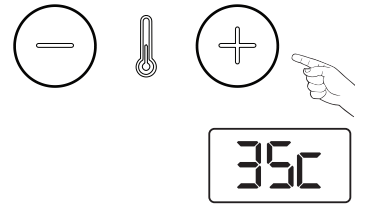
Adjusting Water Flow Rate

In the process of rear washing or female washing, press the "flow adjustment" button on the remote control to adjust the flow rate.



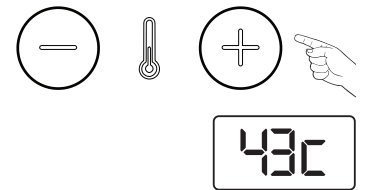
Adjust Water Temperature

During Female/Rear Washing, press the "Increase" or "Decrease" button of "Adjust temperature" on remote control to adjust the Water Temperature.
Digital display function: when the water temperature is adjusted, the screen will display the water temperature accordingly.



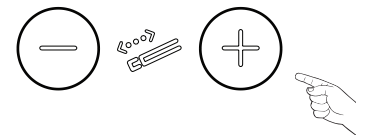
Adjust Drying Air Temperature

During Drying, press the "Increase" or "Decrease" button to "Adjust temperature" on remote control to adjust the Air Temperature.
Digital display function: when air temperature is adjusted, the screen will display the air temperature accordingly.



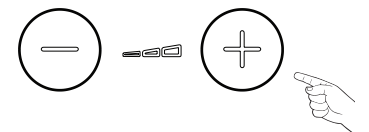
Adjusting the Nozzle Position

In the process of rear washing or female washing, press "position adjustment" buttons on the remote control to adjust the nozzle position forward or backward.



Adjusting Drying Air Flow

During Drying, to select drying option, press "flow adjustment" buttons on the remote control to adjust the blower air flow rate.



Function Introduction

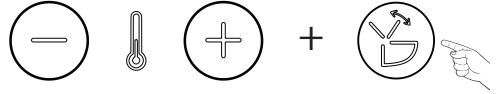
Adjusting Temperature

1. Adjusting Seat Temperature

Press and hold “+” or “-” and press “Seat Open/Close” for temperature button and press seat button to adjust the seat temperature.

There are 6 modes (including turning off seat heating mode), every time the seat button is pressed, the mode will change.

Digital display function: When seat temperature is adjusted, the screen will display the seat temperature accordingly.



5 seat settings

● ○ ○ ○ ○	29°C	1 led
● ● ○ ○ ○	31°C	2 led
● ● ● ○ ○	33°C	3 led
● ● ● ● ○	35°C	4 led
● ● ● ● ●	37°C	5 led
○ ○ ○ ○ ○	off	0 led

2. Anti Scald Setting

After 10 minutes of use or more of the bidet seat, you will notice that the temperature continues to be at its lowest level of 29°C.

To change temperature of the seat, activate the heating functions on the remote control

Cover / Seat Open or Close

Press the “Cover open/close” button on the remote control to open or close the cover, press the “Seat open/close” button to open or close the seat.

Cover open or close

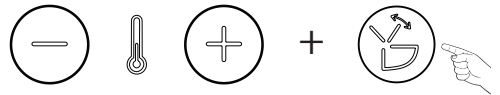


Seat open or close



Auto Lid Opening / Closing

Press and hold “+” or “-” and press “Lid open / close” on the remote control to adjust the different modes for the automatic open / close function



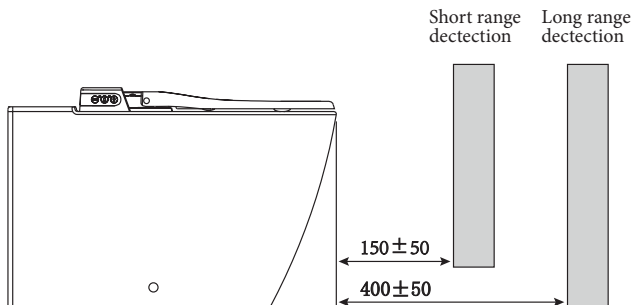
Long range detection mode is set as default. Led lights on the remote control indicate the following status

Remote control LEDs

● ○ ○ ○ ○	OFF
● ● ○ ○ ○	Short range detection
● ● ● ○ ○	Long range detection

Range Mode

Digital Display Function



Function Introduction

Cover / Seat Open or Close

Automatic mode

The function of automatic lid open/close, the lid will open automatically when the user detection sensor detects movement within the sensor range. The lid will close automatically after about 60 seconds when the user detection sensor does not detect any movement within the sensor range.



Please remember

1. When the user walks within the sensing area slowly, the sensing distance for lid opening/closing may be shortened. If the lid does not respond, please open or close the lid with the remote control or by hands.
2. The function of automatic lid open/close works only when the "Setting of lid open/close" on the remote controller is set to "On".
3. When any movement is detected in the toilet (such as opening and closing doors or fluttering curtains), the lid may open automatically. (If it continues to open by mistake due to the bathroom environment, the automatic seat open/close mode can be turned off on the remote control). When used by children, the user detection sensor may fail to detect due to height detection.
4. It is recommended not to open or close the cover/seat forcefully. Any extreme force to open or close the cover and seat manually could cause damage to the auto open and close modes and this can cause a product function failure.

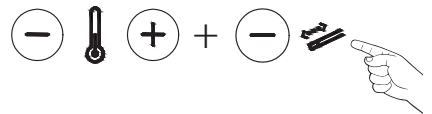
Manual mode

Users can open or close the lid and seat directly by hands. When user intends to open or close the lid and seat under normal condition, the lid/seat will open or close automatically against the trend of motion. The user should not use force. Once being stopped by any obstacle during motion, the lid or seat will stop moving automatically.

Note: During automatic open/close of lid and seat, do not use extreme force to open or close the lid or seat.

Night Light Setting

Smart mode for the night light is set as default. Press and hold "Increase" or "Decrease" button of "Adjust temperature" + repeatedly press "Decrease" button of "Adjust Position" on the remote control to change modes.



	Remote control LEDS	Mode
Off mode: when one indicator light is on	● ○ ○ ○ ○	Close Mode
Always on: when two indicator lights are on	● ● ○ ○ ○	Always on Mode
Smart mode: when three indicator lights are on	● ● ● ○ ○	Smart Mode

NOTE: When it's in "smart" mode, the night light switches on in a dark environment and switches off in a bright environment.

Function Introduction

Deodorise Setting

Smart mode for the deodorization by default. It is on when the user sits down and it will be off after one minute when the user leaves. If there is no operation of washing or drying during being seated, this mode will cancel after 15 minutes.

Press and hold "Increase" or "Decrease" button of "Adjust temperature" + repeatedly press "Increase" or "Adjust Position" on the remote control to turn the deodorisation function on and off.



Off mode : when one indicator light is on

On mode : when two indicator lights are on

Remote control LEDs	Mode
● ○ ○ ○ ○	Close Mode
● ● ○ ○ ○	Smart Mode

Display Function

When a person is close or during uses, the display will illuminate. It shows seat temperature by default. When seated, the display screen shows the seat temperature. When it starts washing, the display screen shows current water temperature. When it starts drying, the display screen shows current air temperature. 5 seconds after washing or drying stops, the display screen will again show the seat temperature.

Changing temperature display units

The display window shows degrees Celsius by default.

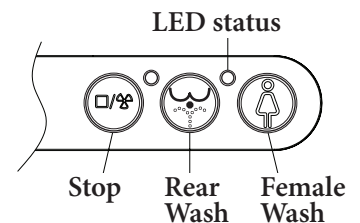
Press and hold "Increase" or "Decrease" button for "Adjust temperature" + press "Massage" on remote control to change the display from degrees Celsius to degrees Fahrenheit.

Fault warning: The display screen will show the Fault code as per "Fault warnings and codes V0.2". The display screen light will not change but the status LED will flash in red and with sound warning. It will return to normal when the fault is solved.



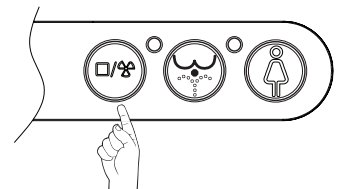
LED Status

When seated (LED status: Orange), press "Rear wash" or "Female wash" side buttons to start the washing (LED status: Red). It will automatically stop after 3 minutes or you can press "Stop/ Dry" side button to stop washing (LED status: Orange). When no one is seated and not in operation, the LED status is Green.



Power Standby Setting

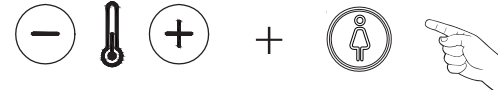
When not seated, continue pressing the side buttons for more than 6 seconds, it will go into power standby mode. Press again on the side buttons for more than 6 seconds to restart the functions.



Function Introduction

Sound Setting

The sound is on by default. There will be a BEEP when the bidet has received commands or signals. Press and hold “Increase” or “Decrease” button to “Adjust temperature” + press “Front Wash”



Remote control LEDS					Mode
●	○	○	○	○	Off Mode
●	●	○	○	○	On Mode

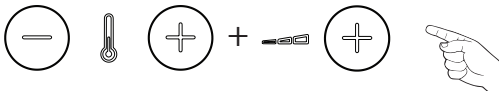
Power Saving Mode

Intelligent power saving mode and timed power saving mode.

Intelligent power saving mode: The product will detect when not in use, seat temperature will stay at the lowest level.

Timed power saving mode: Set unused time range (6 or 9 hours), seat will not be heated. This mode will automatically exit after 6 or 9 hours.

Intelligent + Timed power saving mode: If the two modes are set at the same time, the smart power saving mode could work even if not in the timed power saving period. Press and hold “Increase” or “Decrease” button to “Adjust temperature” + repeatedly press “Increase” button of “Adjust Flow” to change mode.



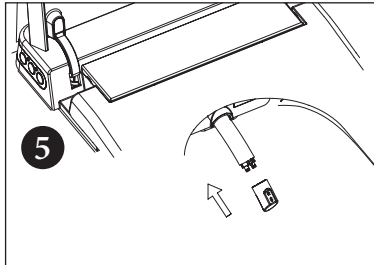
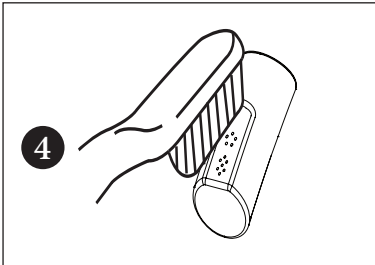
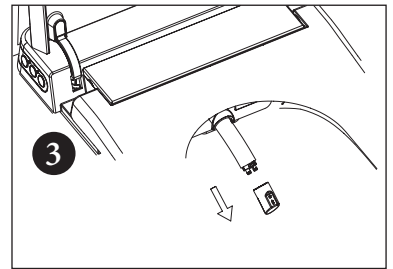
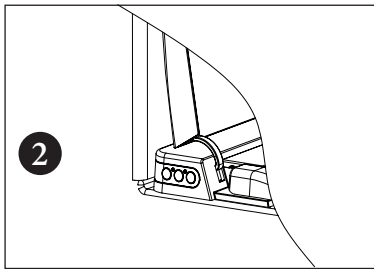
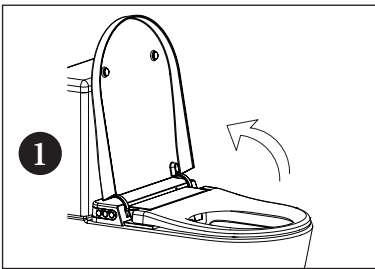
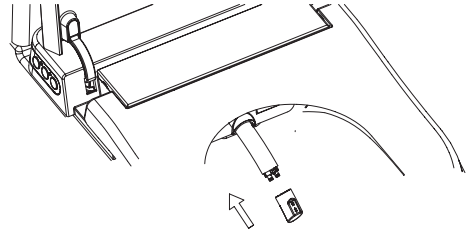
	Remote Control LEDS					Range Mode OFF	Digital Display Function
	○	○	○	○	○	Off	--
	●	○	○	○	○	Time: 6H	6H
	●	●	○	○	○	Time: 9H	9H
	●	●	●	○	○	Intelligent	AI
	●	●	●	●	○	Intelligent + Time: 6H	6Hc
	●	●	●	●	●	Intelligent + Time: 9H	9Hc

Nozzle Cleaning

The nozzle will be automatically cleaned before washing and after washing.

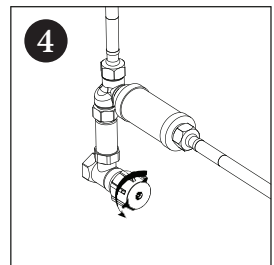
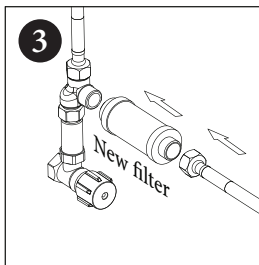
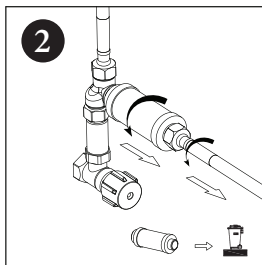
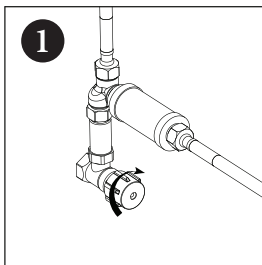
The operation of manual cleaning is as follows

Open the cover and seat, press the "Stop" and "Female Wash" side buttons at the same time, or press and hold the "Stop" + press "Decrease" on the remote control, the nozzle will come out with water and the nozzle head can be removed and cleaned manually. The nozzle will retract automatically after 5 minutes, or you can press the "Stop" button and the nozzle will retract itself to the normal position.



Replacing the filter

The seat will need to be lifted to access the filter. The filter has a service life of 6 months. This is depended on the water quality. The filter should be replaced when the water flow is restricted.

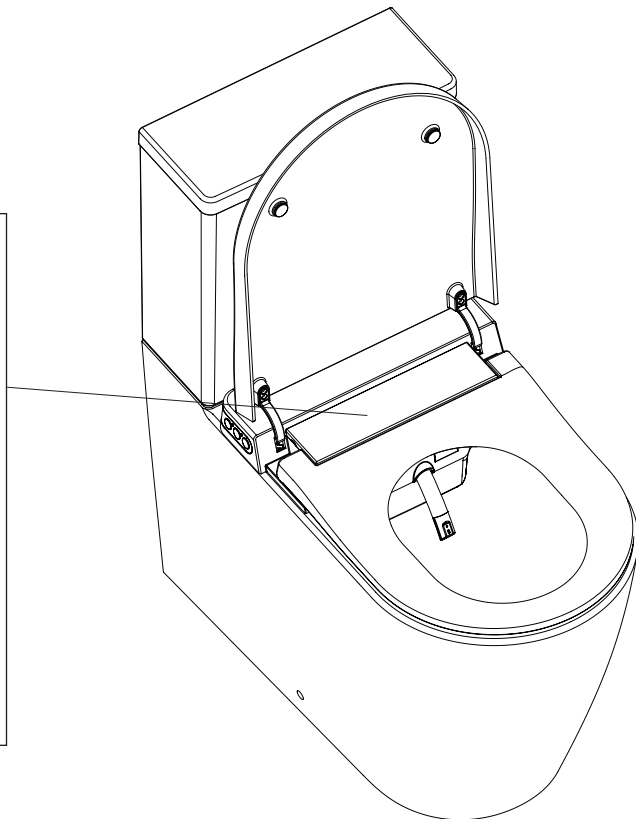
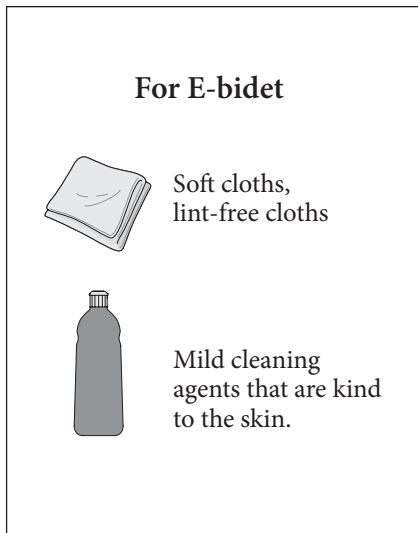


Care and Maintenance

Maintenance interval	Maintenance activity
Weekly	Clean all surfaces and corners. Clean the spray nozzle if required. See “Nozzle cleaning”
Every half year	Replace the filter if required.
Every year	Descal the device. See “Descaling the device”

Cleaning agents and tools

- Cleaning agents and tools



Do not use the cleaning agents of strong acid and alkali
To clean the E-bidet, do not use the hard brush e.g. toilet brush / nylon brush

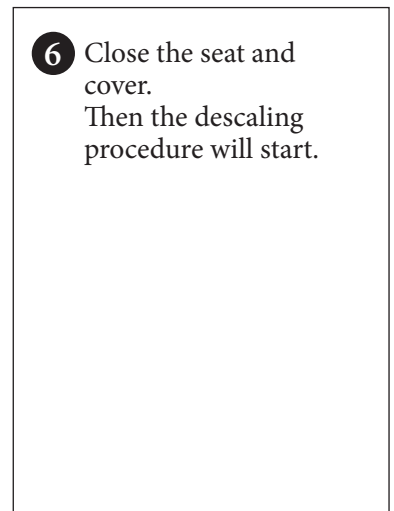
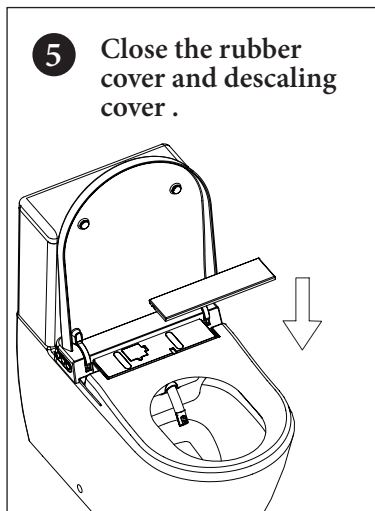
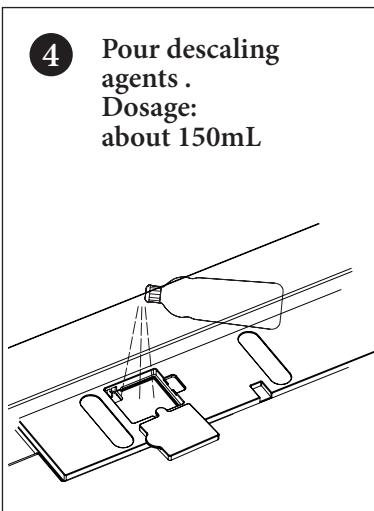
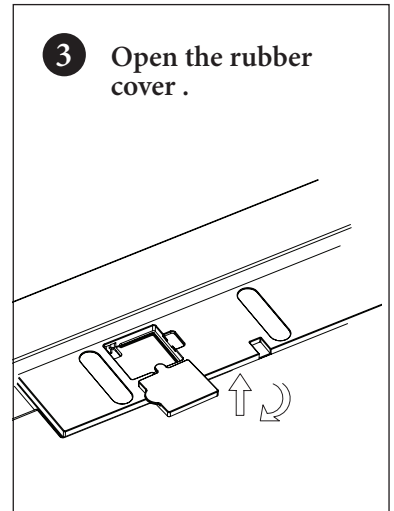
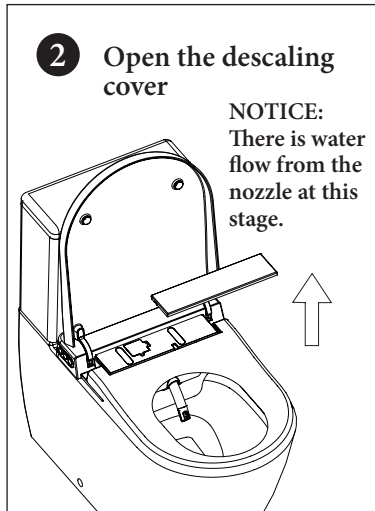
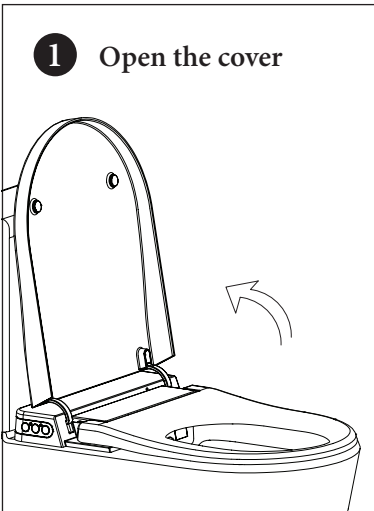
Self-cleaning the tank

If not used for more than 72 hours, when the user operates the washing, it will open the self-cleaning for about 3 minutes. All the buttons are invalid during the self-cleaning and it will return to normal after the self-cleaning.

Descaling the Device

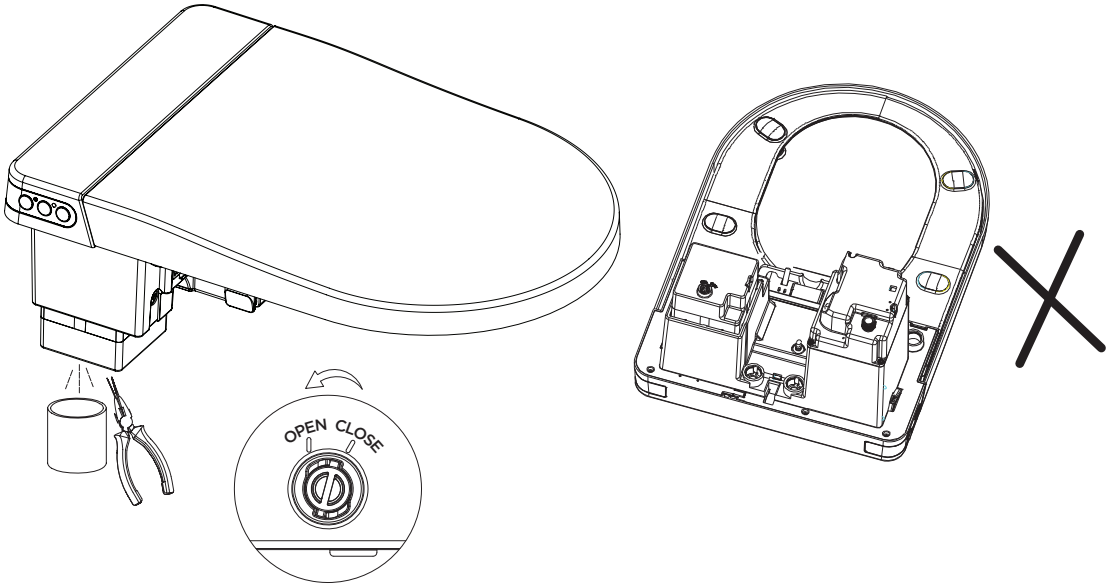
- The shower toilet needs to be descaled at least once a year or more often, depending on the amount of use and the water quality.
- During the descaling function, the shower toilet can be used except for the washing functions.
- The descaling process will take 30 minutes. During this time, the LED will flash in red and when descaling is finished, the LED will change to green.
- Please use descaling agents with low foam.

Only use mild descaling additives



Draining the Water Tank

1. The water and power must be turned off before you disassemble the E-Bidet
2. Do not invert or tilt it before you finish draining the water tank

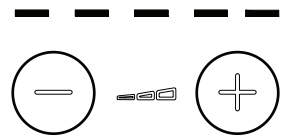
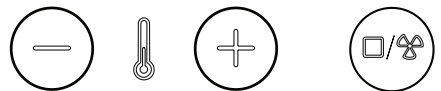


1. Use long nose plies- to hold, rotate and pull out the drain plug. It will start to drain.
2. After completing the drain process, insert the plug back and rotate to “CLOSE” .

One-ON-One Setting

To install several shower toilets in the same area, if you want each remote control to control the specified shower toilet, please set as following steps.

1. In the status of unseated, press and hold "Decrease" button of "Adjust temperature" + press and hold "Stop/Dry" button on the remote control until all 5 LED lights are on, then release the pressing.
2. Press "Increase" or "Decrease" of "Adjust Flow" to choose different code for each shower toilet, and press "Stop/Dry" side button, then press "Stop/Dry" on the remote control. When long "beep" sound heard, the setting is finished.



Replacing remote control batteries

The remote control requires two batteries (3V CR2032). Not provided
When the user lights flash continuously, replace the batteries.

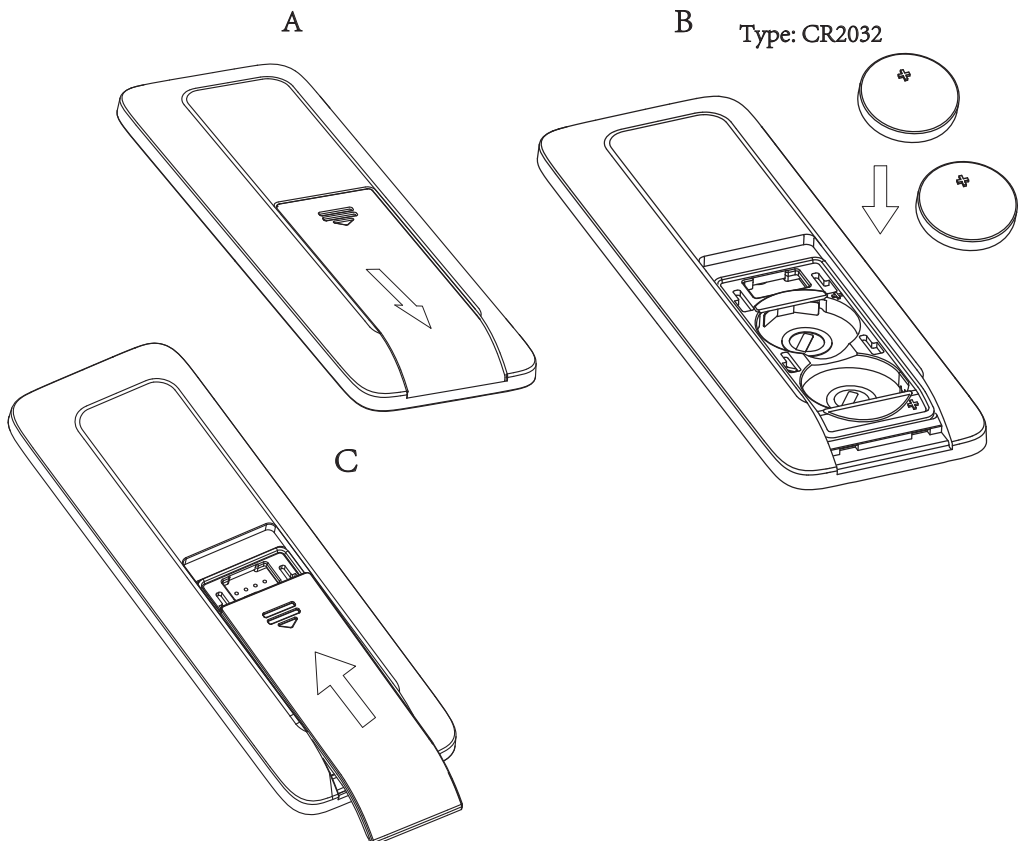
1. Do not attempt to recharge non-rechargeable batteries
2. Rechargeable batteries are to be removed from the appliance before being charged
3. Different brand of batteries or new and used batteries should not be mixed
4. Ensure batteries are inserted with the correct polarity
5. Flat batteries are to be removed from the appliance and disposed off safely
6. Remove the batteries if the appliance is to be stored unused for a lengthy period of time

WARNING



WARNING

- Battery is hazardous and is to be kept away from children (whether the battery is new or used)
- Battery can cause severe or fatal injuries in 2 hours or less if it is swallowed or placed inside any part of the body.
- Medical attention should be sought immediately if it is suspected the battery has been swallowed or placed any part of the body.
- The supplied remote control has been tested and complies with the requirements of AS/NZS 62368.1: 2018. consumer goods (products containing button/coin batteries) safety standard 2020.
- Do not use recycle water.



Troubleshooting

Problem	Potential cause	Suggested action
Not washing	The power supply may not be ON.	Turn ON the power.
	The water supply may not be opened.	Open the water inlet valve to ensure there is a water supply.
	The filter (if used) may be blocked.	Replace with a new filter. Service life is approx. 6 months.
	User may not be sitting on seat.	Sit on the seat and adjust sitting position (bidet will not operate if it cannot detect a user).
	Cover may be closed.	Open the cover and sit on the seat.
	May not have been used for more than 72 hours.	If not used for more than 72 hours: When the user sits down it will execute the self-cleaning function for approx. 3 minutes. All buttons are inactive during this function and will return to normal once complete.
The nozzle goes back suddenly	The washing cycle is 3 Minutes at Constant Temperature mode and 1 minute at Gradual Cooling.	This is normal; press the "Wash" button to restart washing function.
	There may be a problem with the water supply.	Check if there is a water outage in the area.
	The seat sensor may be detecting that the user is no longer sitting.	Adjust sitting position.
	The cover may be attempting to close.	Do not put down the cover while it is washing.
Low water flow rate	The water flow rate may be set to Low.	Increase the flow rate as per "Adjusting Water Flow Rate" chapter of instructions.
	The water supply pressure may be too low.	Please check and ensure the water supply pressure is ≥ 0.5 bar (dynamic pressure).
	The filter (if one is used) may be blocked.	Replace with a new filter. Service life is approx. 6 months.
	The nozzle may be blocked.	Replace with a new nozzle.
Low water temperature	The water temperature may be set to Low.	Increase the water temperature as per "Adjusting Temperature" chapter of instructions.
	The temperature of water supply may be too low.	Increase the water temperature as per "Adjusting Temperature" chapter of instructions or decrease the Flow Rate as per "Adjusting Water Flow Rate" chapter of instructions.
	The water thermostat is OFF.	Reset the the thermostat as per "Resetting Thermostat" chapter of instructions.
The nozzle extends slowly	When performing Wash function, the nozzle will self-clean before extending and may take some time.	This is normal.
Water flows out of nozzle but nozzle does not extend automatically	When performing Wash function, the nozzle will self-clean before coming out and may take some time.	This is normal.
	May not have been used for more than 72 hours.	This is normal. If not used for more than 72 hours and the user sits down, it will execute the self-cleaning function for approx. 3 minutes.
The Dryer will not work	The power supply may be OFF.	Turn ON the power.
	User may not be detected.	Sit on the seat and adjust sitting position.
	The cover may be closed.	Open the cover and sit on the seat.
	May not have been used for more than 72 hours.	If not used for more than 72 hours: When the user sits down it will execute the self-cleaning function for approx. 3 minutes. All buttons are inactive during this function and will return to normal once complete.
Low air temperature	The air temperature may be set to a low setting.	Increase the air temperature as per "Adjusting Temperature" chapter of instructions.
	The air heater is not heating.	Contact local distributor.
Night Light is always OFF	Bidet seat is located in a bright environment.	When the Night Light is set to Smart Mode, the Night Light feature will not work when located in a bright environment.
	The Night Light function may be OFF.	Open the Night Light function and adjust the Night Light mode as per "Setting Night Light" chapter of instructions.
Night light is always ON	Bidet seat is located in a dark environment.	When the Night Light is set to Smart Mode, the Night Light feature will not work when located in a dark environment.
	An object may be covering the sensor.	Remove any obstructions around the sensor.
	The Night Light may be set at 'Always ON' mode	Adjust the Night Light mode as per 'Setting Night Light' chapter of instructions.
The nozzle goes back automatically during manual cleaning	The nozzle goes back after washing 5 minutes.	This is normal.
	Press the "STOP" button.	Manual Cleaning will stop if the 'STOP' button is pressed on the remote control.
Remote control not working	No batteries in the remote control.	Install the correct batteries in the remote control.
	Battery power is too low.	When the battery power is low the LED of grade will flash. Replace the batteries.
	The Bidet code and remote control codes are not the same.	Set the remote control code to the correct one. See 'Remote Control Pairing Setting' chapter in instructions.
There are BEEP sounds when the bidet is working	There is a short BEEP when you are sitting down, and a long BEEP when you leave. There is also a short BEEP when the bidet receives a command.	This is normal. You can turn OFF the sound. Refer to 'Sound Setting' chapter in instructions.
The bidet is not operating normally		Shut OFF the power and turn ON after one minute. If the bidet still does not work, contact local distributor.
The light on the body flash 6 times and constantly beeps	The Water Supply Temperature may be too high.	Shut OFF the power and water supply, stop using the product and contact the local distributor.
The light on the body keeps flashing		Check if the electrical power and water supply are working as normal, switch OFF the power and restart the product. If the bidet still will not work, please contact the local distributor.



CAROMA

 | **GWA** Bathrooms & Kitchens

Caroma Industries Limited.

ABN 35 000 189 499

1 Melito Court, Prestons, NSW 2170

National Call Centre 13 14 16

caroma.com.au