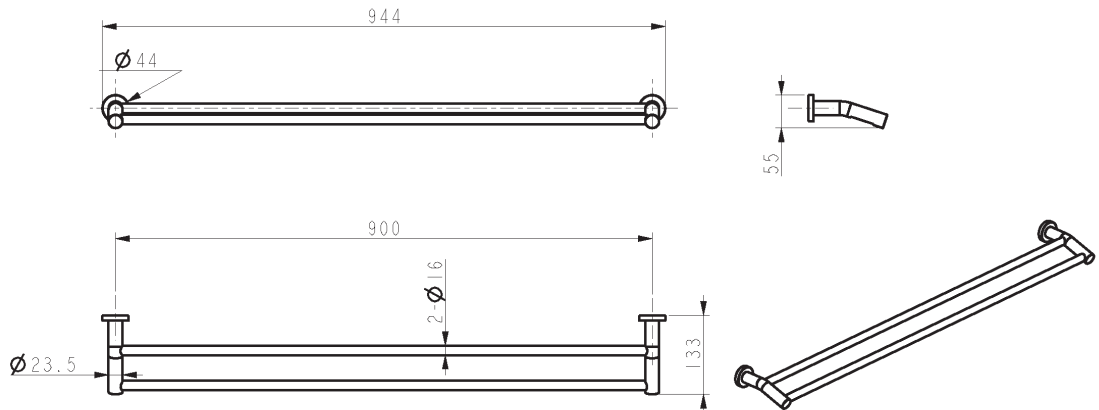
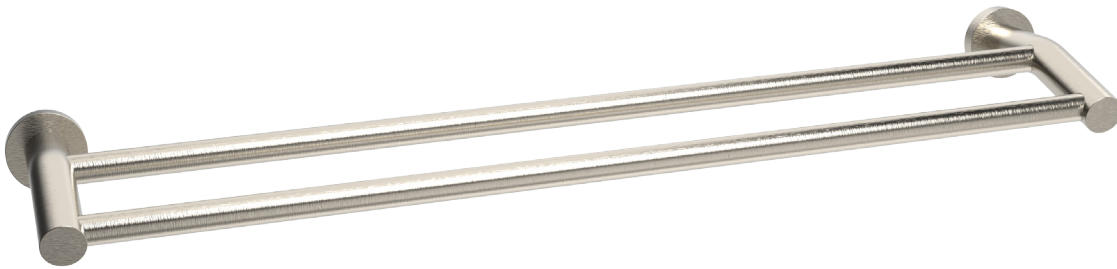


enhance

Meno Plus Double Towel Rail 900mm

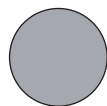
Product Codes:	Finishes:	WELS Rating:
B235008BG	Brushed Gold	Not Applicable
B235008BN	Brushed Nickel	Features:
		Includes Fixing Kit
		Warranty:
		2 Year Warranty. 12 Months Parts and Labour.



Colour Swatches:



Brushed Gold



Brushed Nickel

DISCLAIMER: Installation of this product must be undertaken by a qualified and licensed plumber and in accordance with the National Plumbing Code, AS/NZS 3500 and all applicable local regulations. Enhance products are designed to meet the appropriate Australian Standards. Dimensions contained were correct at the time of publication. However, neither the manufacturer nor the distributor takes responsibility for printing errors. The manufacturer and the distributor reserve the right to vary specifications or delete models without prior notification. A failure to follow the installation instructions, or a failure to have the product installed by a licensed tradesperson, may void the products warranty.