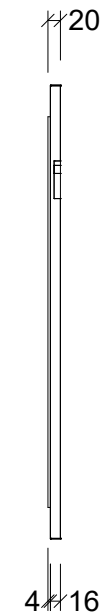
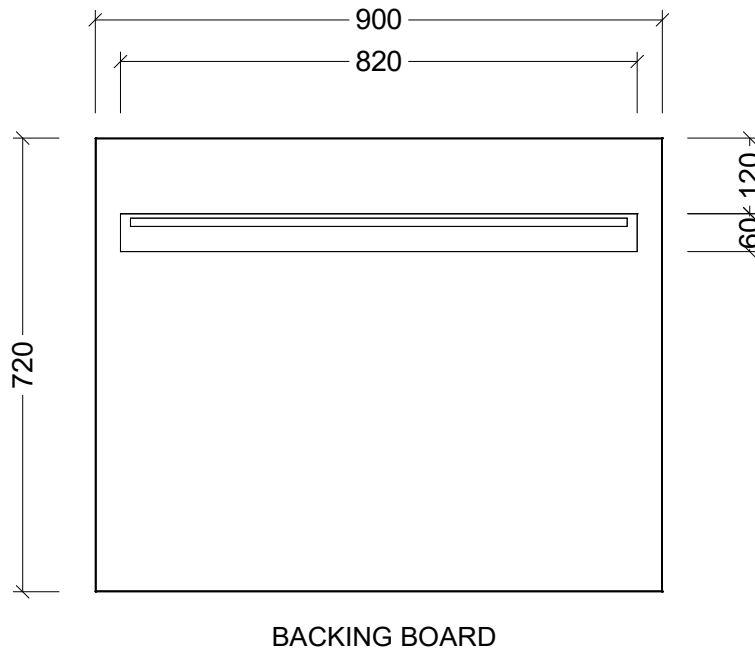
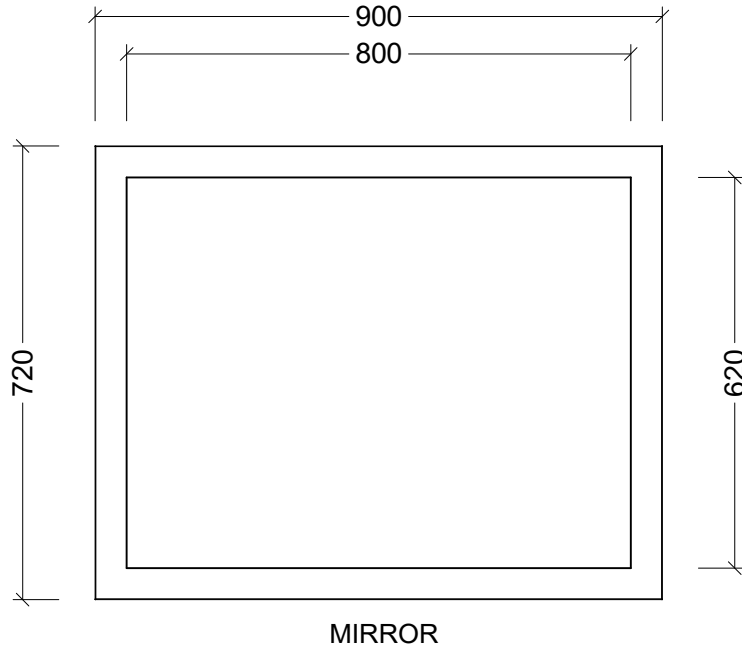


CABINET DETAILS

Range	Miami
Description	900Wx720H Rectangle
Cabinet SKU	MIA-M-900-720

Timberline Bathroom Products Pty Ltd
 22 Myrtle Drive, Armidale NSW 2350
www.timberline.com.au | 02 6773 8500

PLEASE NOTE: Due to the manufacturing process of ceramic tops, size variation (+/- 3%) is to be expected. E&OE. Copyright ©

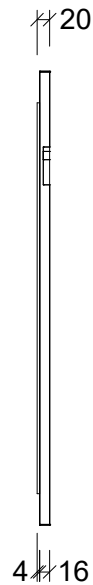
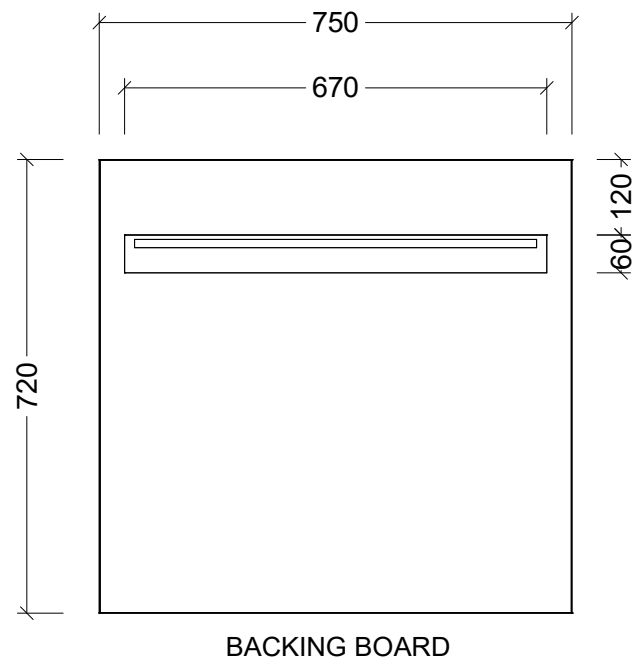
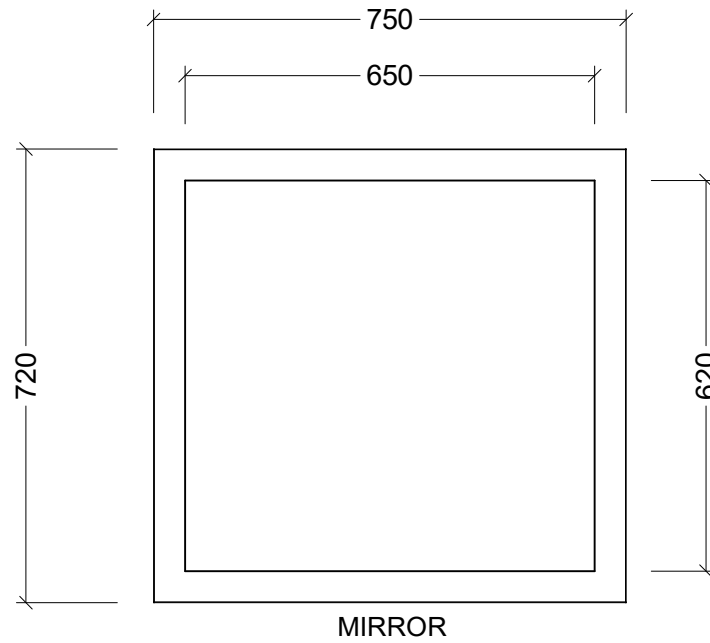


CABINET DETAILS

Range	Miami
Description	750Wx720H Rectangle
Cabinet SKU	MIA-M-750-720

Timberline Bathroom Products Pty Ltd
 22 Myrtle Drive, Armidale NSW 2350
www.timberline.com.au | 02 6773 8500

PLEASE NOTE: Due to the manufacturing process of ceramic tops, size variation (+/- 3%) is to be expected. E&OE. Copyright ©

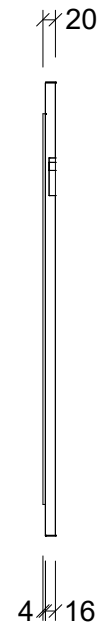
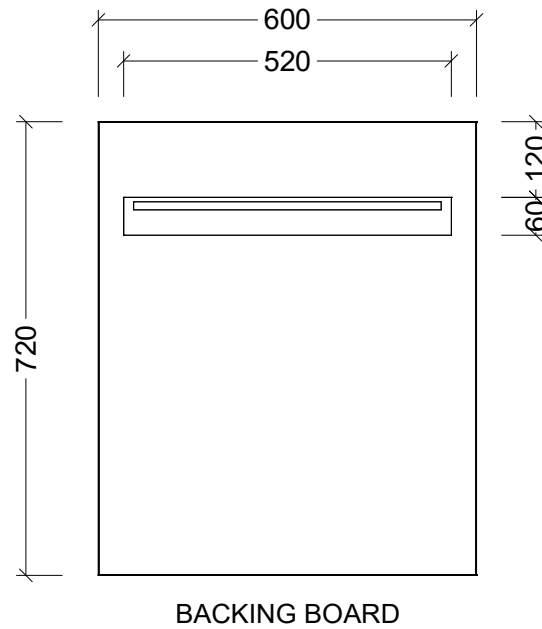
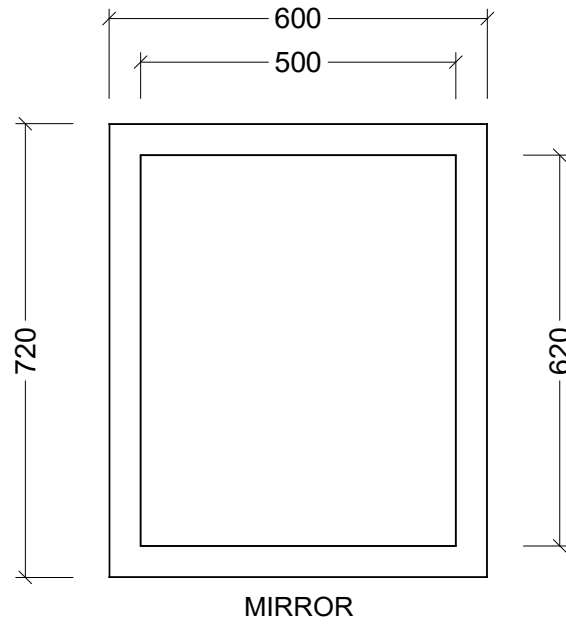


CABINET DETAILS

Range	Miami
Description	600Wx720H Rectangle
Cabinet SKU	MIA-M-600-720

Timberline Bathroom Products Pty Ltd
 22 Myrtle Drive, Armidale NSW 2350
www.timberline.com.au | 02 6773 8500

PLEASE NOTE: Due to the manufacturing process of ceramic tops, size variation (+/- 3%) is to be expected. E&OE. Copyright ©

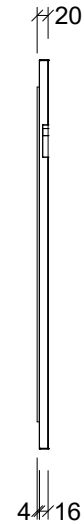
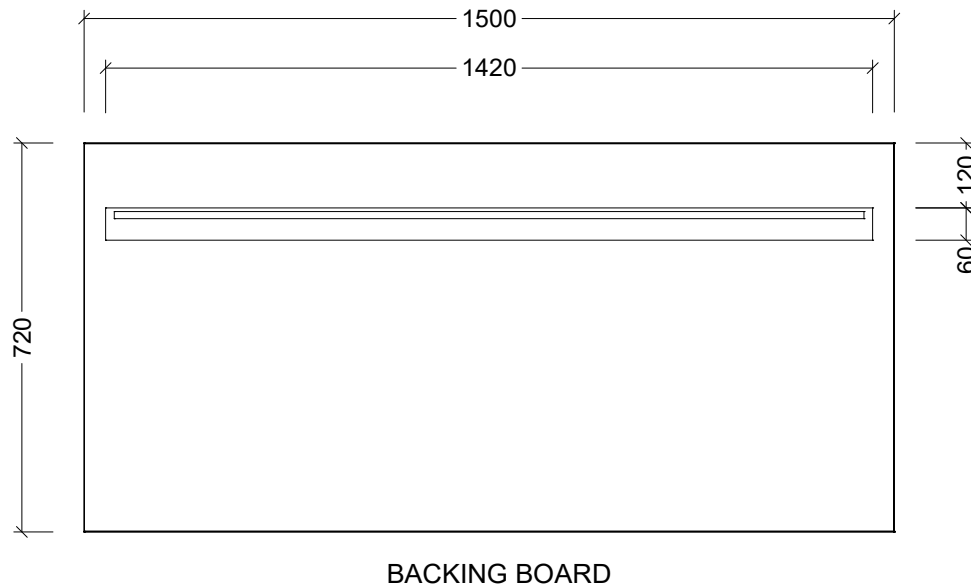
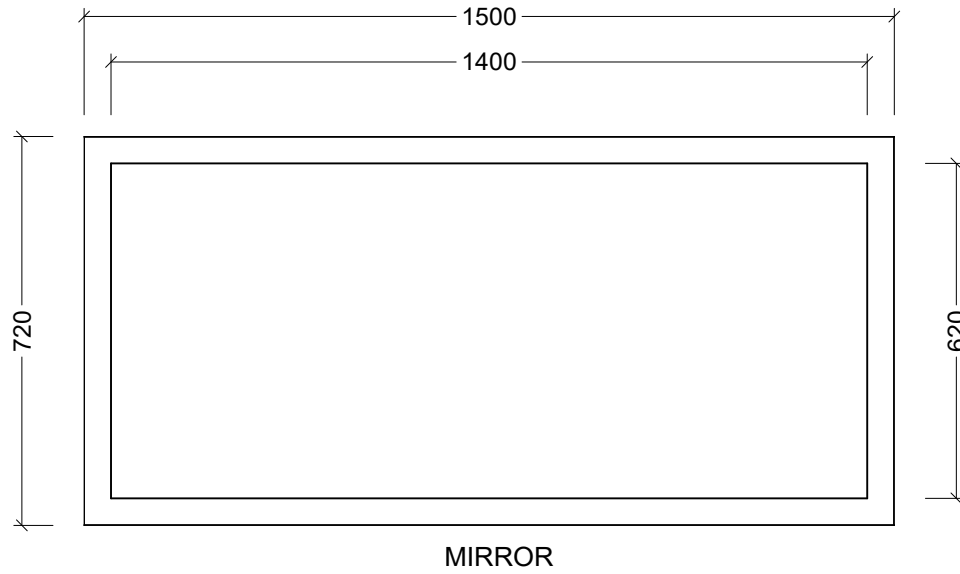


CABINET DETAILS

Range	Miami
Description	1500Wx720H Rectangle
Cabinet SKU	MIA-M-1500-720

Timberline Bathroom Products Pty Ltd
 22 Myrtle Drive, Armidale NSW 2350
www.timberline.com.au | 02 6773 8500

PLEASE NOTE: Due to the manufacturing process of ceramic tops, size variation (+/- 3%) is to be expected. E&OE. Copyright ©

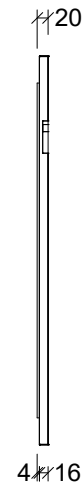
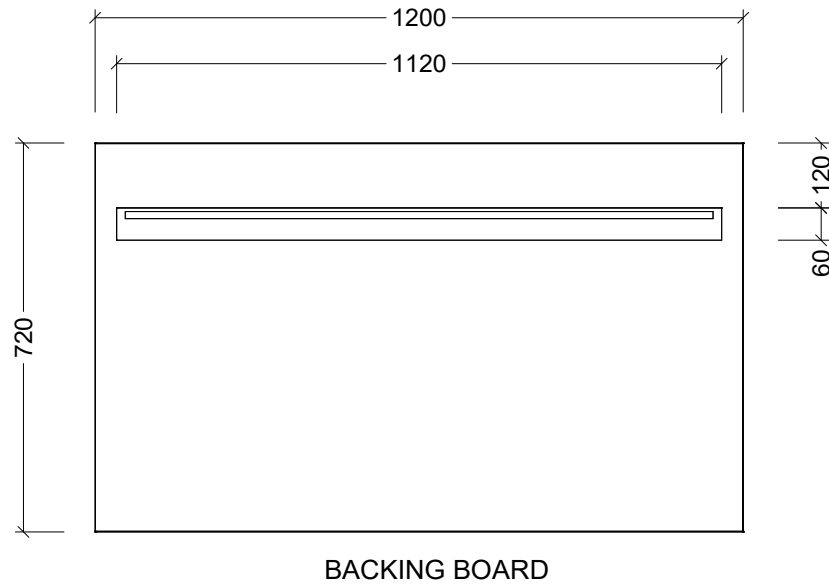
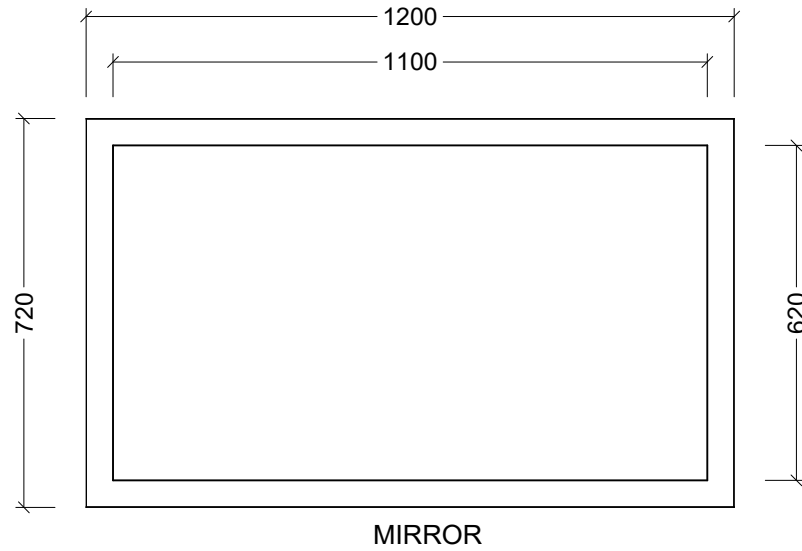


CABINET DETAILS

Range	Miami
Description	1200Wx720H Rectangle
Cabinet SKU	MIA-M-1200-720

Timberline Bathroom Products Pty Ltd
 22 Myrtle Drive, Armidale NSW 2350
www.timberline.com.au | 02 6773 8500

PLEASE NOTE: Due to the manufacturing process of ceramic tops, size variation (+/- 3%) is to be expected. E&OE. Copyright ©



CABINET DETAILS

Range	Miami
Description	1050Wx720H Rectangle
Cabinet SKU	MIA-M-1050-720

Timberline Bathroom Products Pty Ltd
 22 Myrtle Drive, Armidale NSW 2350
www.timberline.com.au | 02 6773 8500

PLEASE NOTE: Due to the manufacturing process of ceramic tops, size variation (+/- 3%) is to be expected. E&OE. Copyright ©

